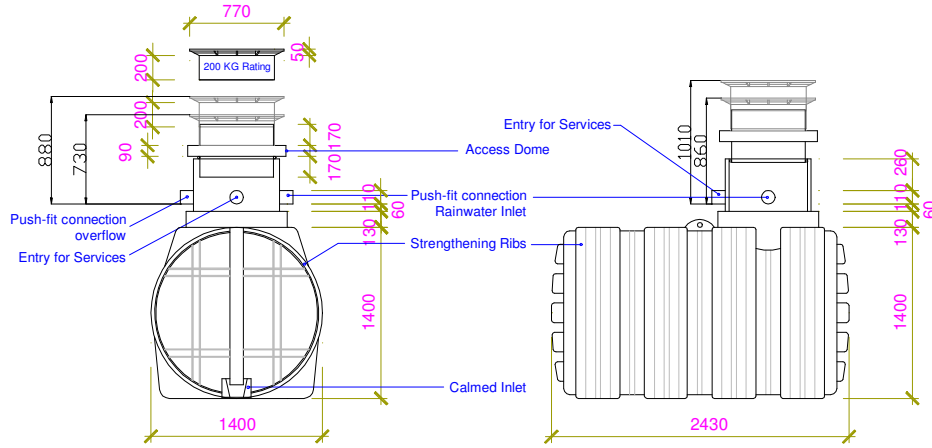


3,500 litre Tank - Weight 150 kg

Standard Invert Installation

Extended Invert Installation



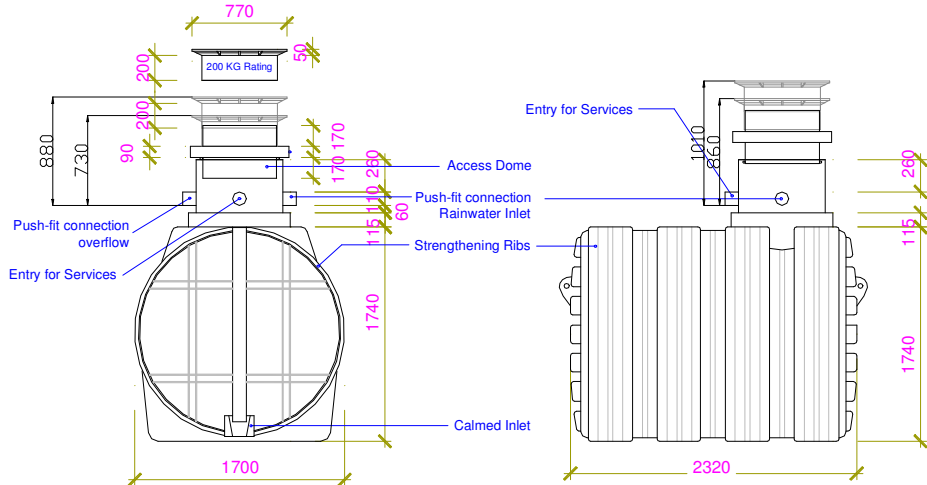
Notes:
 With the standard lid arrangement the connection inverts are between 730mm and 880mm
 With the extended position of the telescopic neck the maximum invert connection can be 1010mm
 Extra strengthened tanks are available for high water table installations
 The optimum excavation depth is 2395mm (in standard arrangement) plus any additional depth for a suitable base. (Giving 75mm tolerance either way)



4,700 litre Tank - Weight 200 kg

Standard Invert Installation

Extended Invert Installation



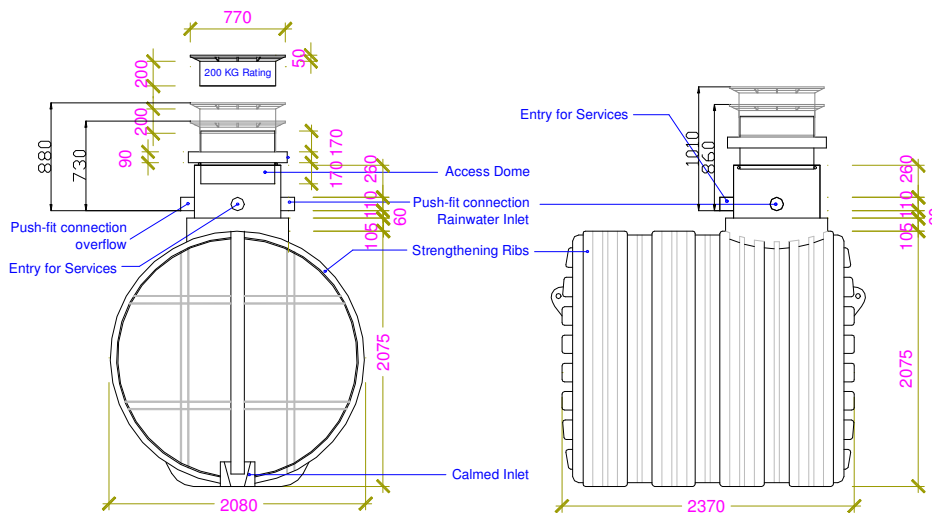
Notes:
 With the standard lid arrangement the connection inverts are between 730mm and 880mm
 With the extended position of the telescopic neck the maximum invert connection can be 1010mm
 Extra strengthened tanks are available for high water table installations
 The optimum excavation depth is 2720mm (in standard arrangement) plus any additional depth for a suitable base.



6,500 litre Tank - Weight 280 kg

Standard Invert Installation

Extended Invert Installation



Notes:
 With the standard lid arrangement the connection neck inverts are between 730mm and 880mm.
 With the extended position of the telescopic neck the maximum invert connection can be 1010mm
 For High Water Tables Additional Concrete Backfilling May be required.
 The optimum excavation depth is 3045mm (in standard arrangement) plus any additional depth for a suitable base.

